



INSTALLATION INSTRUCTIONS

[CARBAHN.COM/INSTRUCTIONS](https://carbahn.com/instructions)

CARBAHN F9X M8 & M8 MONOBALL KIT

**CARBAHN PART #:
CBF90-3110**



US Based Support
866-558-4314
Sales@CarBahn.com
CarBahn.com

Info

Kit ID: CBF90-3110

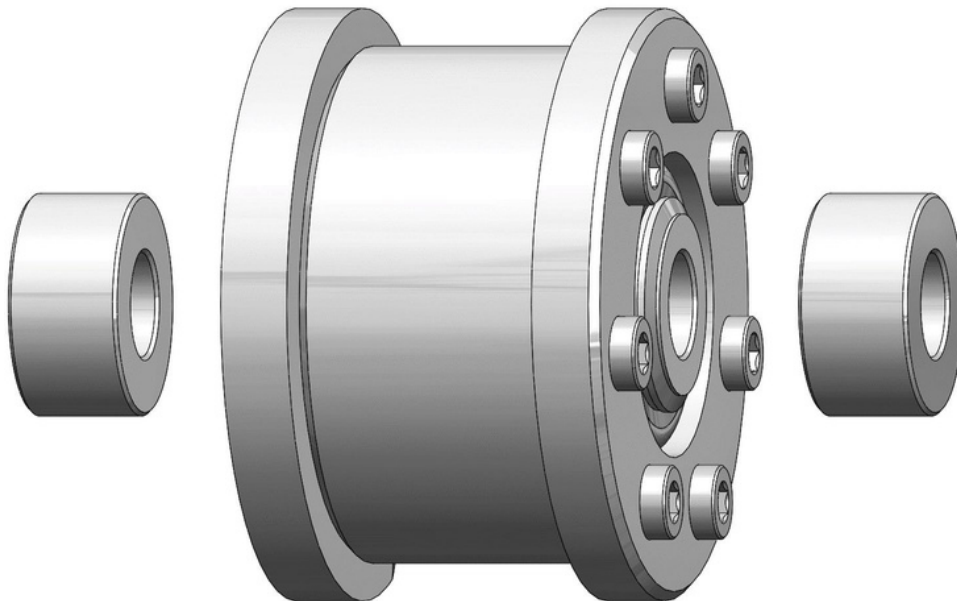
Instructions ID: CBINS-3037

Version: 1.0.1

Date Published: February 19th, 2020

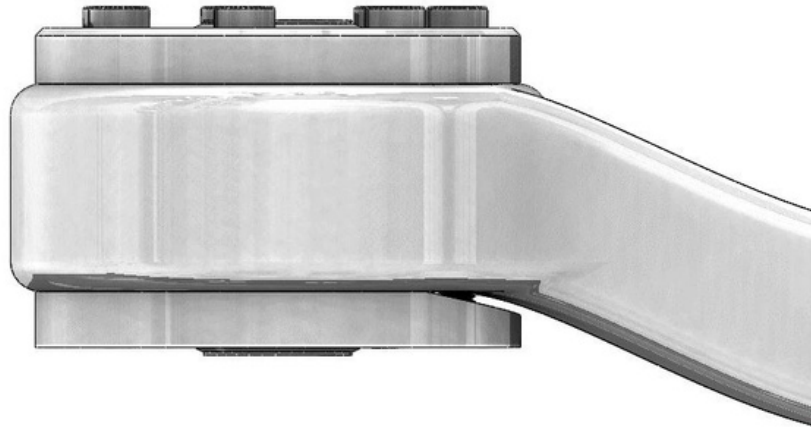
Warnings

- ⚠ If not used and installed properly this component can significantly affect the performance and drivability of the vehicle.
- ⚠ Use secure jack stands, do not work on vehicles supported by a jack only.
- ⚠ Re-aligning the car after installation is required to fully utilize the kit and not affect drivability, only use the BMW recommended alignment.
- ⚠ Only use recommended BMW procedure for working on the car and installing these parts.



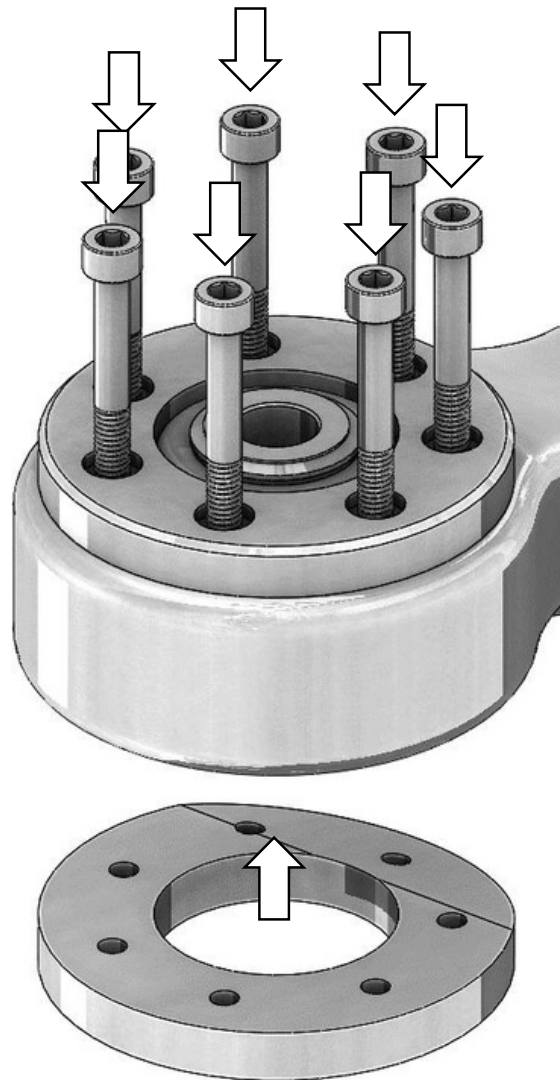
Installation

1. Remove the left and right stock front thrust arm.
2. Set aside the washers, nuts and bolts for the thrust arms as they will be used again. Be sure to re-use factory hardware in their original locations.
3. Press out the stock rubber bushing from the stock thrust arms as per the BMW recommended procedure.
4. Clean and apply grease to the internal face of the inboard side of the arm and slide in the Monoball Housing from the outside flat face of the Thrust arm. Part orientation is as shown in the picture below. CarBahn Monoball housing is made to slide easily into the Thrust arm.

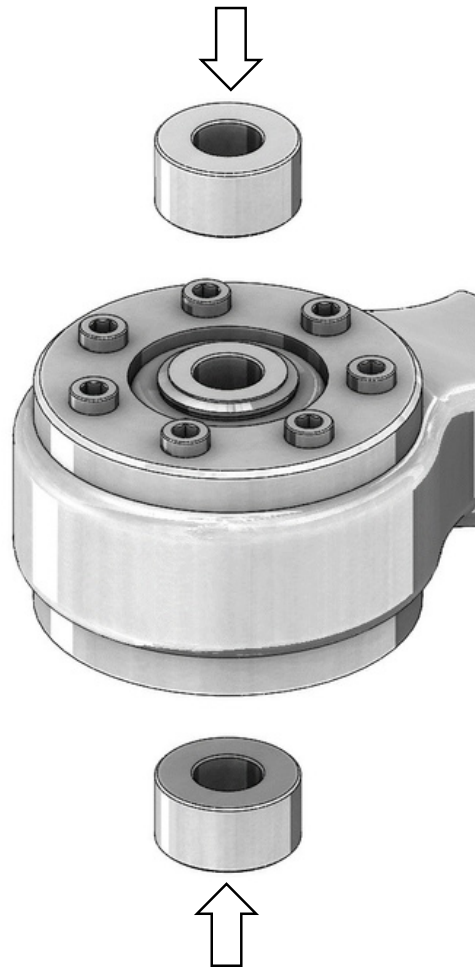


Part Orientation

5. Assemble the thrust arm as shown in the picture below. Torque the bolts to 120 pounds-in.



6. Once the assembly is complete, reassemble the Monoball Kit using the spacers as shown on the next page.



7. Use the stock hardware to secure the assembly to the chassis as per the BMW recommended procedure.

8. Perform an alignment after installing the Front Monoball Kit.