



INSTALLATION INSTRUCTIONS

[CARBAHN.COM/INSTRUCTIONS](https://carbahn.com/instructions)

CARBAHN MERCEDES AMG C63S SEDAN TOE LINK

**CARBAHN PART #:
CB63S-3101**



US Based Support
866-558-4314
Sales@CarBahn.com
CarBahn.com

Info

Kit ID: CB63S-3101

Instructions ID: CBINS-3030

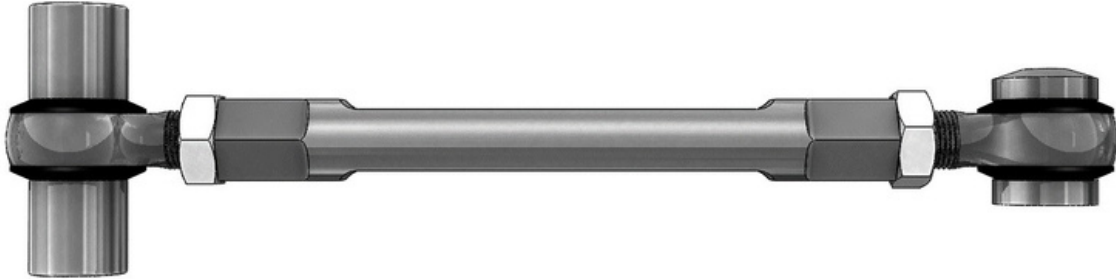
Version: 1.0.1

Date Published: October 14th, 2019

Warnings

- ⓘ If not used and installed properly this component can significantly affect the performance and drivability of the vehicle.
- ⓘ Use secure jack stands, do not work on vehicles supported by a jack only.
- ⓘ Re-aligning the car after installation is required, only use the Mercedes recommended alignment.
- ⓘ Please only use recommended Mercedes procedures for working on the car and installing these parts.

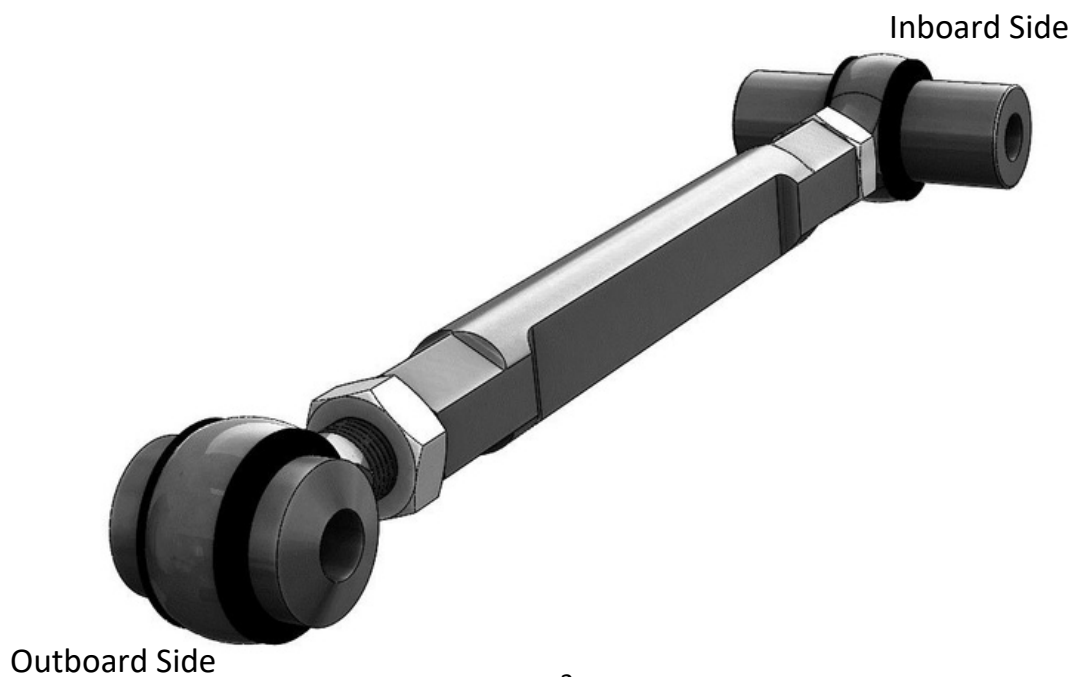
Inside the Box



2x Toe Link and Rod End Assembly CB63S-3111

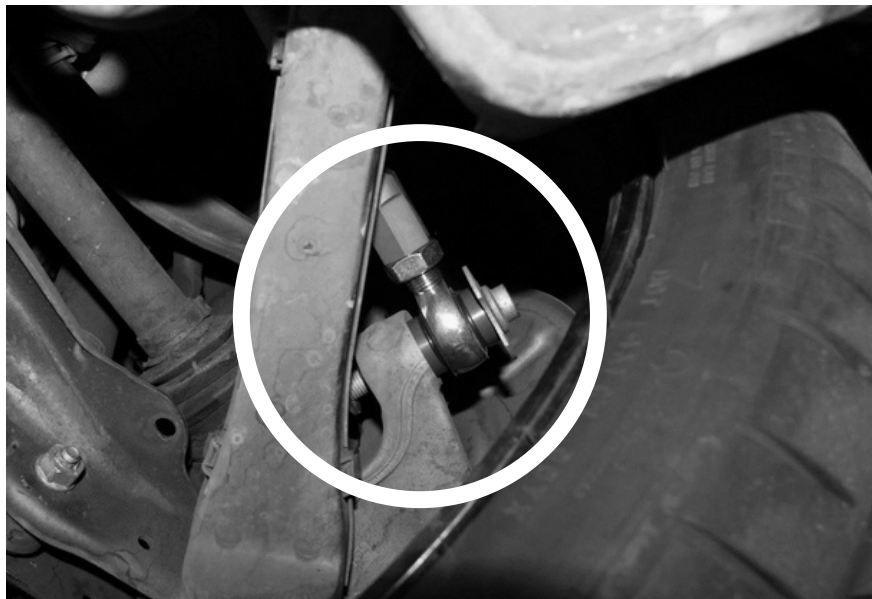
Parts List

Part #	Quantity	Description
CB63S-3111	2	Toe Links
CBINS-3030	1	Installation Instructions



Installation

1. Remove the stock rear toe links from the vehicle as per Mercedes procedure.
2. Set aside the washers, nuts and bolts for the stock toe links as they will be used again. Be sure to re-use factory hardware in their original locations.
3. Align the outboard side of the CarBahn toe link with the mounting location on the upright (outboard).
4. Use the outboard bolts, washers and nuts to secure the assembly to the upright.



5. Align the inboard side of the CarBahn toe link with the chassis side (inboard) mount.

6. Use the inboard bolts, washers and nuts to secure the assembly to the chassis.



7. CarBahn toe links are pre-adjusted to correct length, no additional adjustment should be necessary.

8. Perform an alignment after installing the toe link kit.