



# INSTALLATION INSTRUCTIONS

[CARBAHN.COM/INSTRUCTIONS](https://carbahn.com/instructions)

**MERCEDES AMG C63/C63S TOE LINK**

**CARBAHN PART #:  
CBC63-3119**



US Based Support  
866-558-4314  
[Sales@CarBahn.com](mailto:Sales@CarBahn.com)  
[CarBahn.com](https://CarBahn.com)

## Info

**Kit ID:** CBC63-3119

**Instructions ID:** CBC63-0119

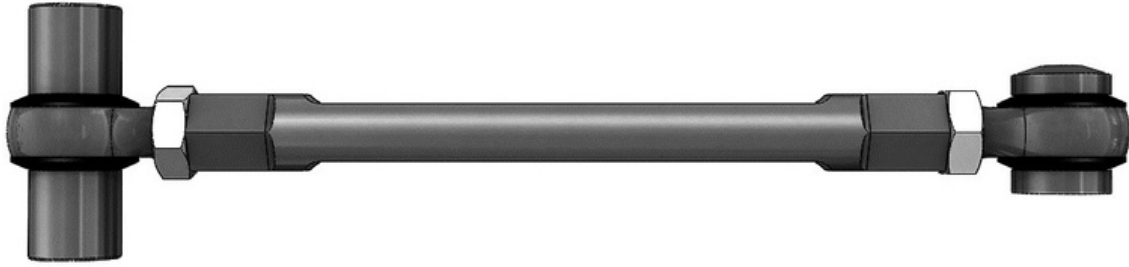
**Version:** 1.0.2

**Date Published:** January 28th, 2020

## Warnings

- ⓘ If not used and installed properly this component can significantly affect the performance and drivability of the vehicle.
- ⓘ Use secure jack stands, do not work on vehicles supported by a jack only.
- ⓘ Re-aligning the car after installation is required to fully utilize the kit and not affect drivability, only use the Mercedes AMG recommended alignment.
- ⓘ Please only use recommended Mercedes procedure for working on the car and installing these parts.

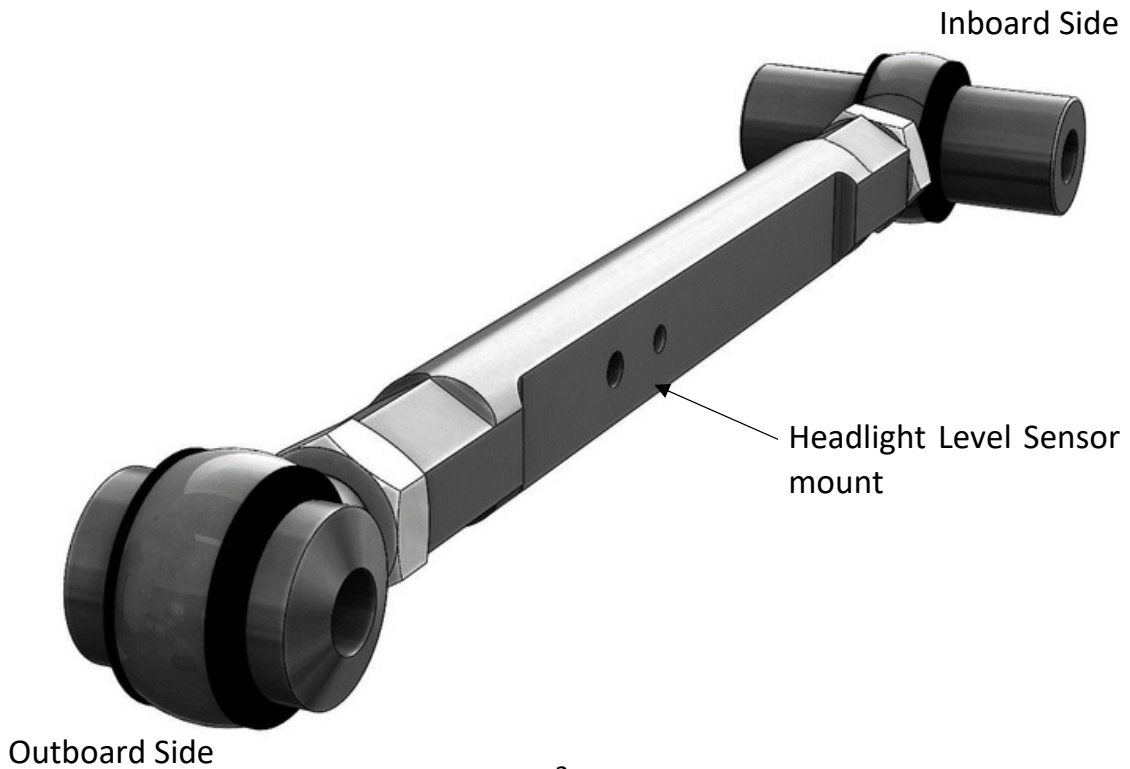
# Inside the Box



**2x Toe Link and Rod End Assembly CBC63-3119**

# Parts List

Part #	Quantity	Description
CBC63-3119	2	Toe Links
CBINS-3018	1	Installation Instructions



# Installation

1. Remove the stock rear toe links and the sensor from the vehicle as per Mercedes procedure.
2. Set aside the washers, nuts and bolts for the stock toe links as they will be used again. Be sure to use re-use factory hardware in their original locations.
3. Align the inboard side of the CarBahn toe link with the chassis side (inboard) mount.
4. Use the inboard bolts, washers and nuts to secure the assembly to the chassis.
5. Align the outboard side of the CarBahn toe link with the mounting location on the upright (outboard).
6. Use the outboard bolts, washers and nuts to secure the assembly to the chassis.
7. Re-assemble the headlight level sensor to CarBahn toe link.
8. CarBahn toe links are pre-adjusted to correct length, no additional adjustment should be necessary.
9. Perform an alignment after installing the toe link kit.